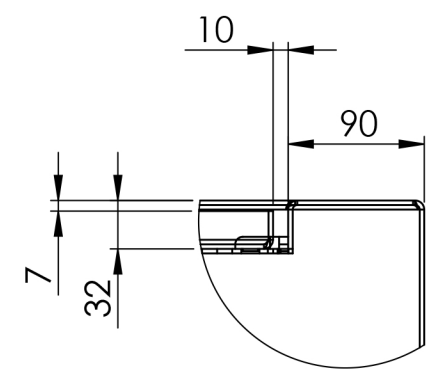
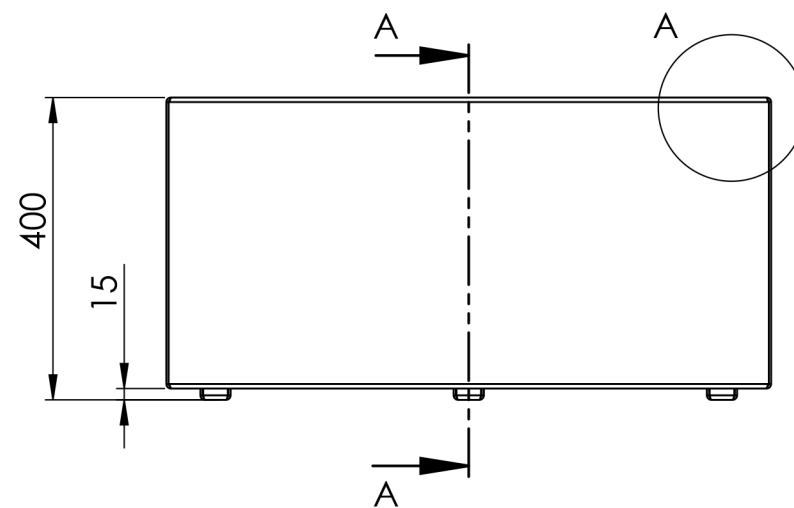
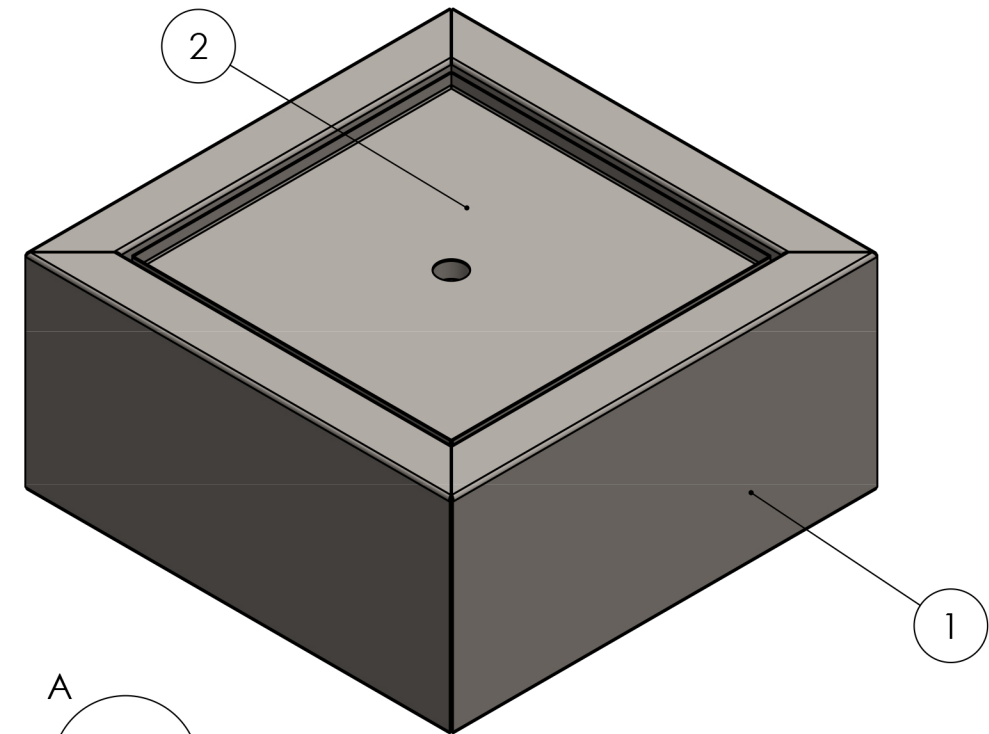
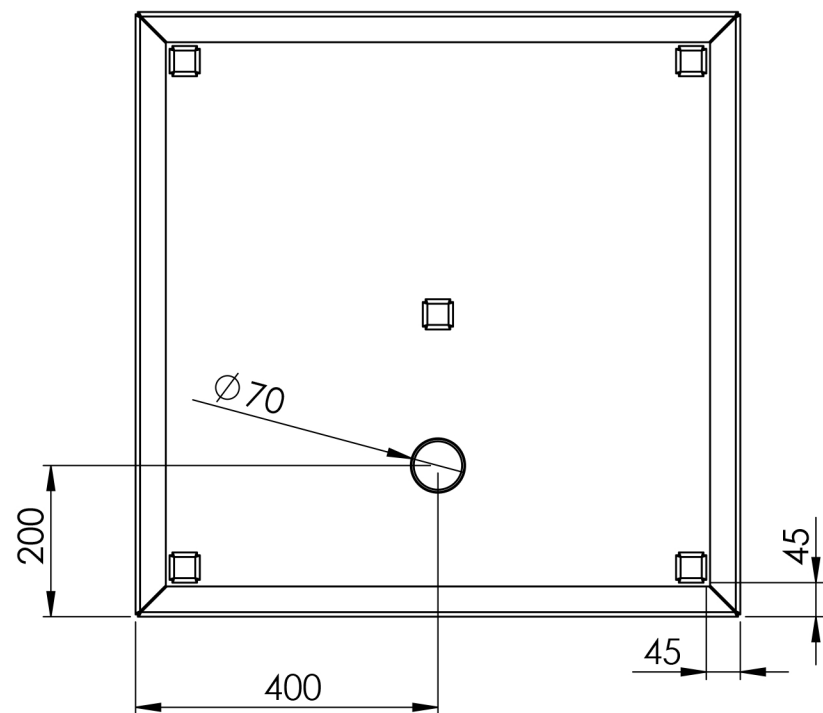


SECTION A-A



DETAIL A  
SCALE 1 : 5

ITEM NO.	PART NUMBER	Thickness	DESCRIPTION	Default/QTY.
1	AB13.-Base	3 mm	Aluminum	1
2	AB13.-Cover	3 mm	Aluminum	1

DATE  
23-11-2020



TITLE:

3 mm Aluminium



Drawing.

AB13.

A3

Color:

Mass (kg): **22.87**

SCALE:1:10

SHEET 1 OF 14